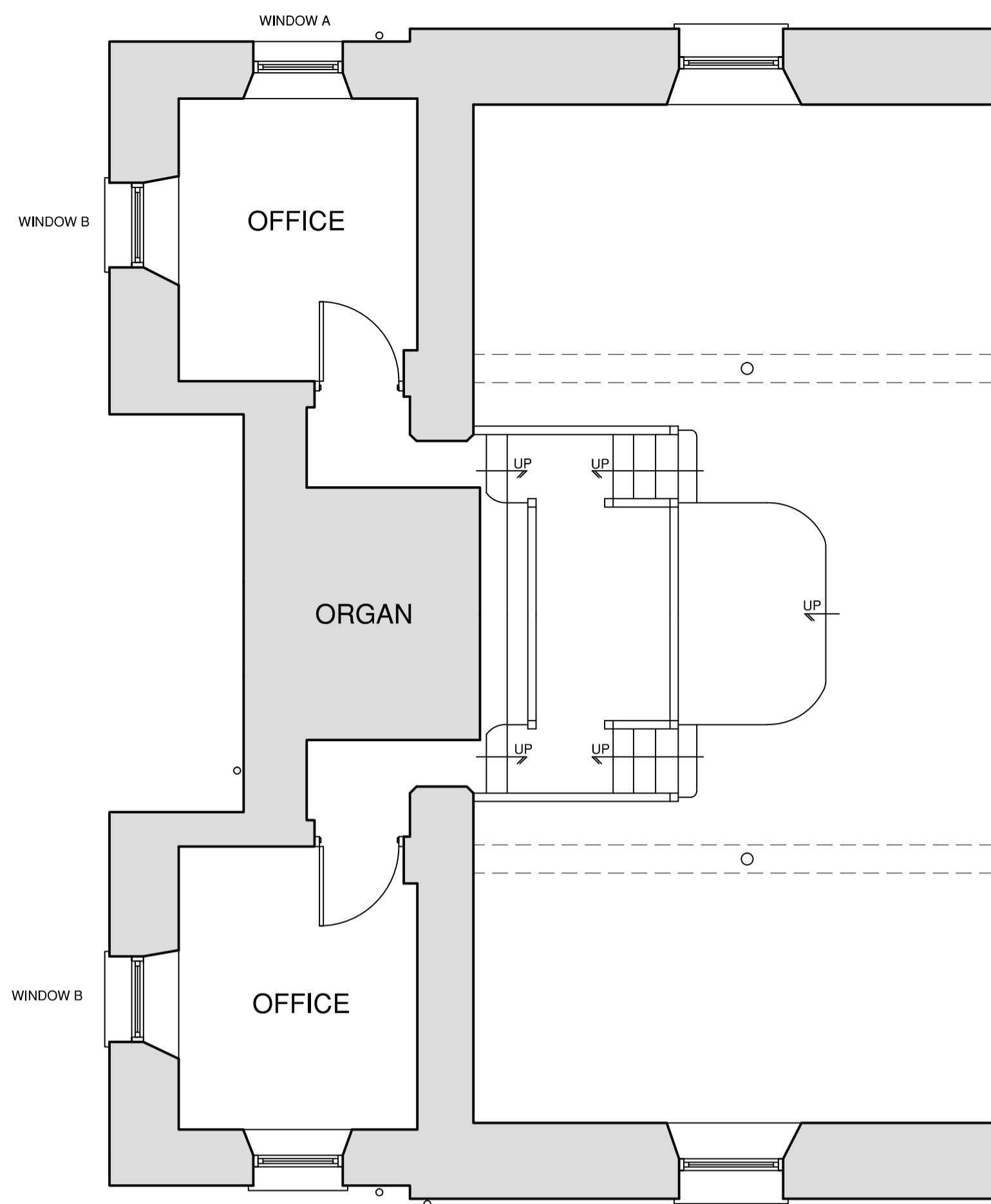
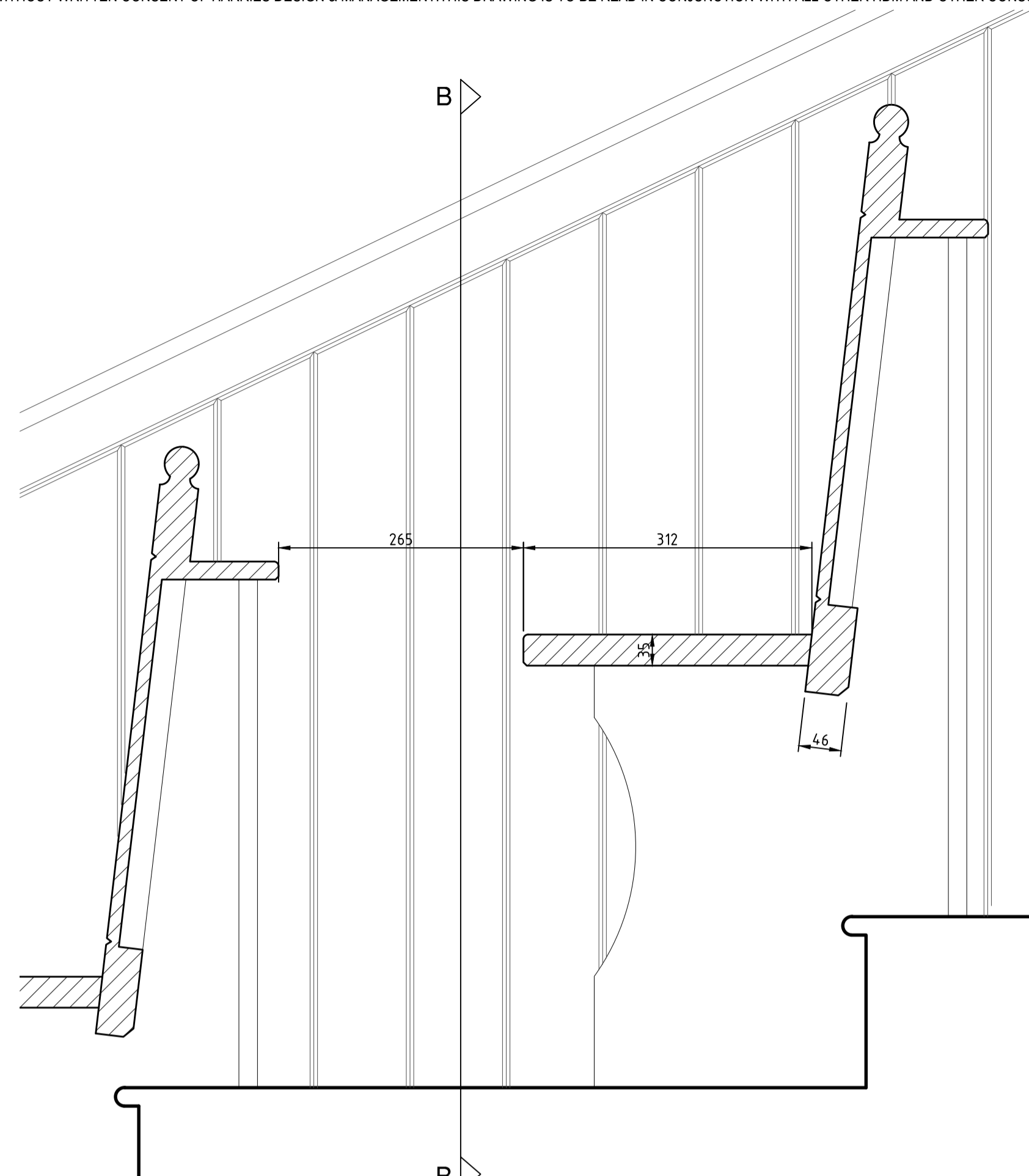


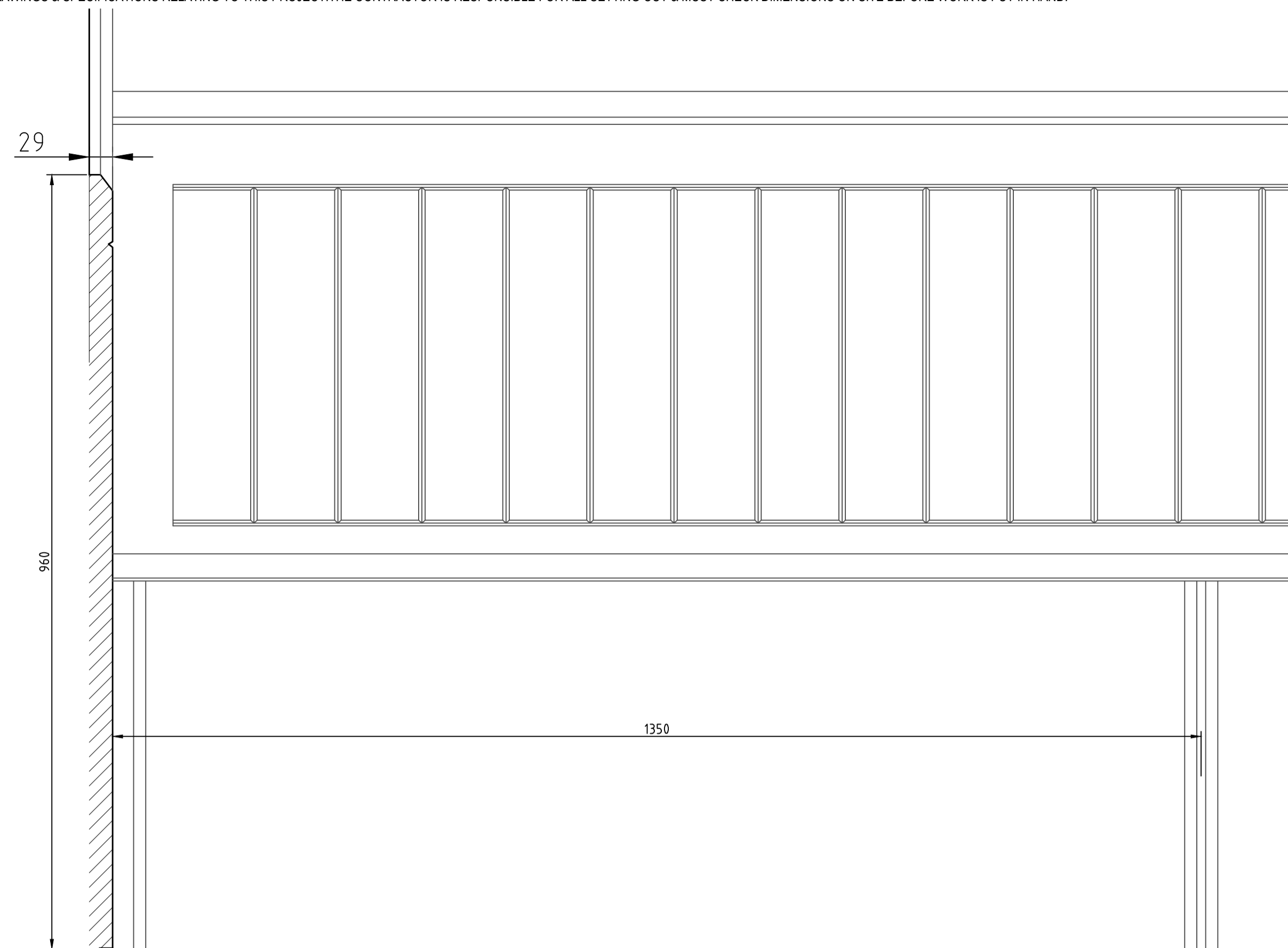
THE PROPERTY OF THIS DRAWING & DESIGN IS VESTED IN HARRIES DESIGN & MANAGEMENT AND MUST NOT BE COPIED OR REPRODUCED IN ANY WAY WITHOUT WRITTEN CONSENT OF HARRIES DESIGN & MANAGEMENT. THIS DRAWING IS TO BE READ IN CONJUNCTION WITH ALL OTHER HDM AND OTHER CONSULTANTS DRAWINGS & SPECIFICATIONS RELATING TO THIS PROJECT. THE CONTRACTOR IS RESPONSIBLE FOR ALL SETTING OUT & MUST CHECK DIMENSIONS ON SITE BEFORE WORK IS PUT IN HAND. DRAWING TO BE READ IN CONJUNCTION WITH RISK ASSESSMENT & SPECIES SURVEY



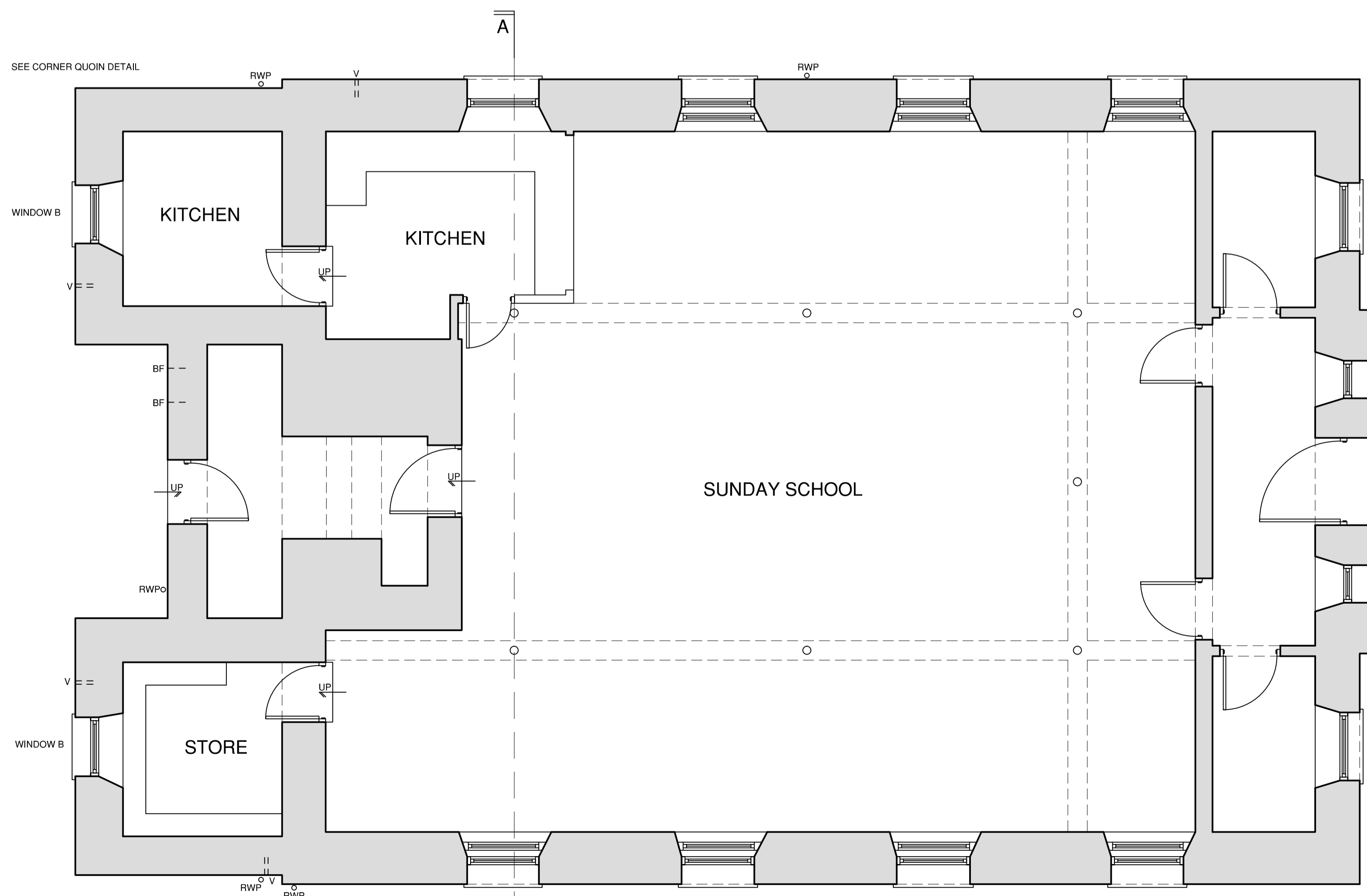
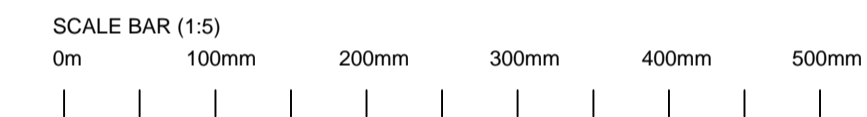
PART FIRST FLOOR PLAN
SCALE 1:50



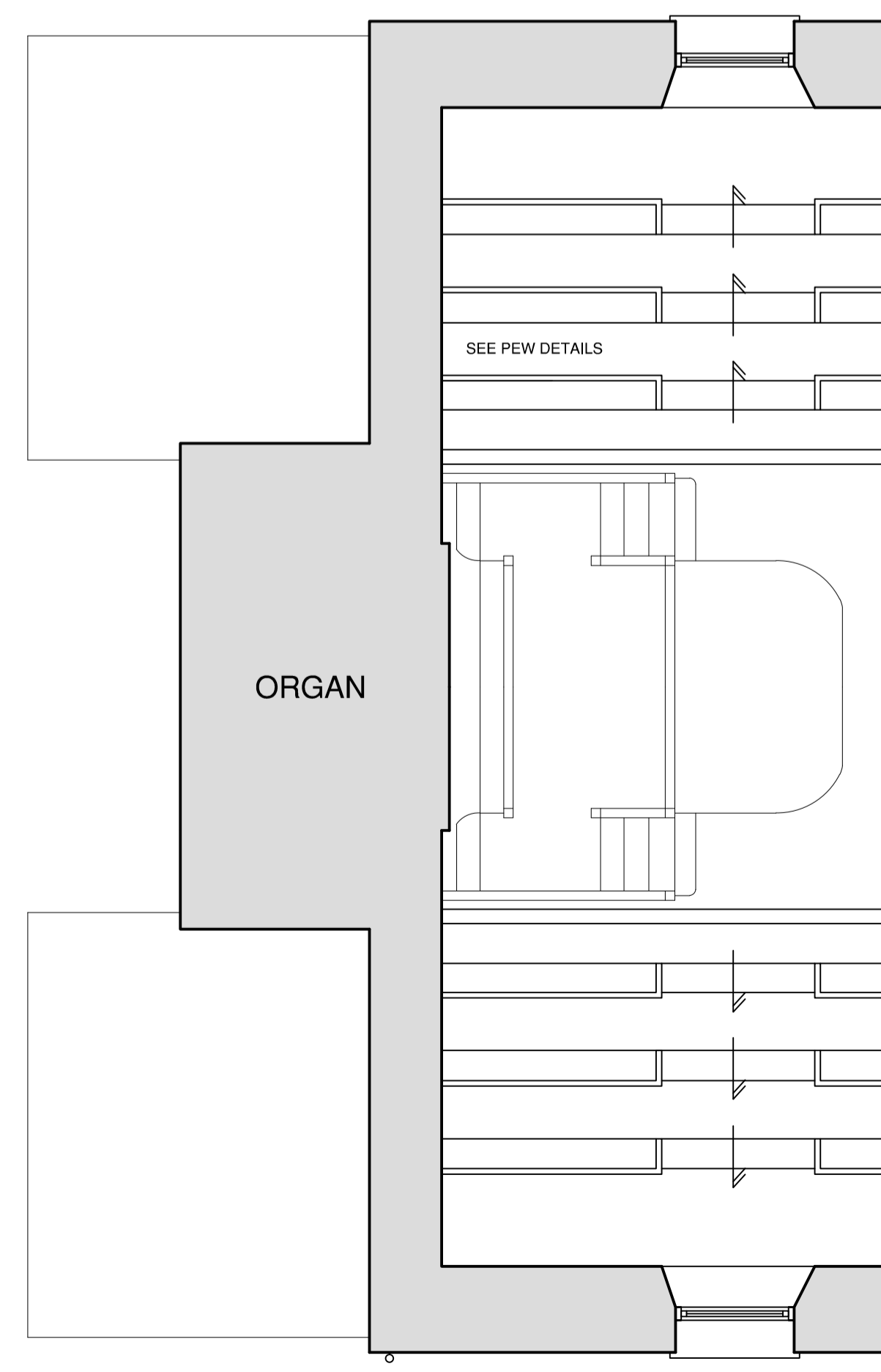
SECTION THRU PEW
SCALE 1:5



SECTIONAL ELEVATION B-B
SCALE 1:5



GROUND FLOOR PLAN
SCALE 1:50



PART SECOND FLOOR PLAN
SCALE 1:50

Rev.	Comments.	Date.

Drawing Recorded	
Principle Designer.	TO BE ADVISED
Status.	SURVEY
Client.	-



HARRIES
PLANNING DESIGN MANAGEMENT
Henllan, Eglwysrwrw, Pembrokeshire, SA41 3UP, Wales.
T: 01239 891 499 F: 01239 891 455 E: wth@hdm.org.uk

Project. Proposed Works at,
Bethesda Baptist Church,
HighStreet,
Narberth,
Pembrokeshire,
SA76 7AS



Drawing Title.			
FLOOR PLANS AS EXISTING			

Scale.	Drawn By.	Checked.	Date.
-	ERM	WTH	28.07.2016
Job No.	Drawing No.	Rev.	-
1552	02	-	-